

## *Bring you to the wireless world ...*

**Wellshow Technology Co., Ltd** is the top manufacturer of mini coaxial cable assembly in Taiwan by owning high productive and precise manufacturing equipment, excellent trained operator, strict production process, and stringent quality control.

The main products are focused on ultra thin coaxial connector cable assemblies, such as Hirose U.FL / H.FL / W.FL, Murata GSC and IPX MHF / MHFIII connector cables.

Our high level manufacturing equipment and strict manufacturing process bring high productivity and stable quality, and also bring competitive price and short lead time for every customer.

Following is the specification of various ultra mini micro coaxial connectors and please just contact us if you are interested in. Your inquiry is the most welcome and will be responded in 24 hours with the most competitive price.



### **Our contact information ...**

Email: [sales@wellshow.com.tw](mailto:sales@wellshow.com.tw)

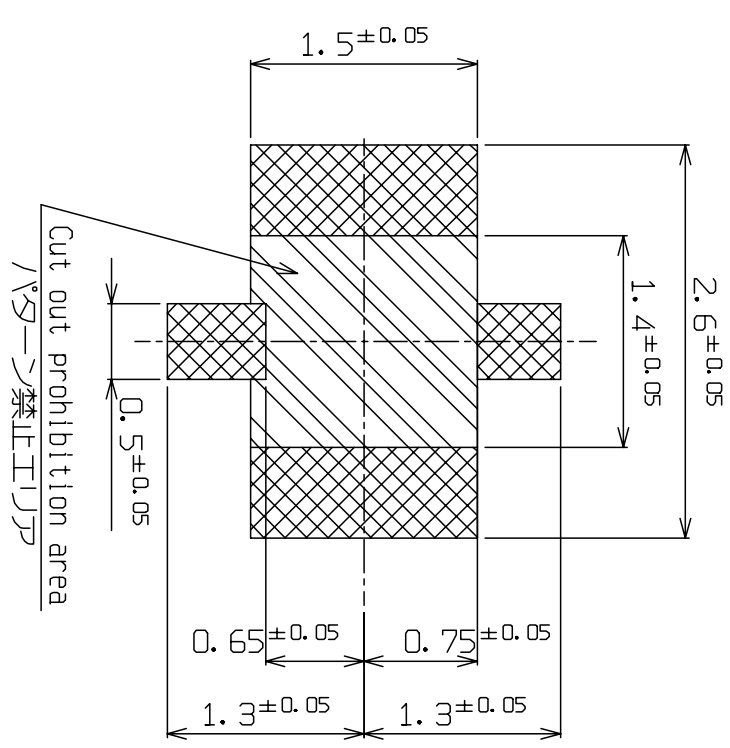
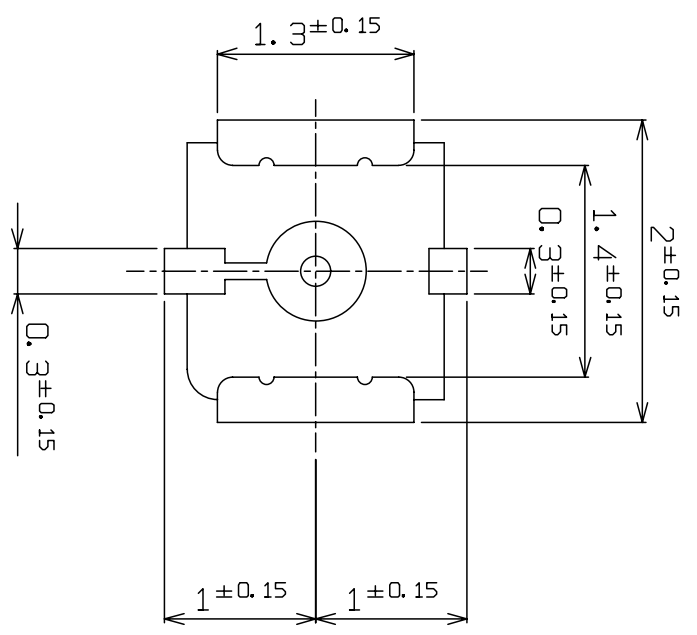
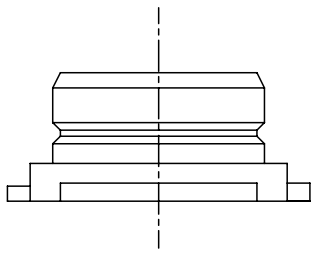
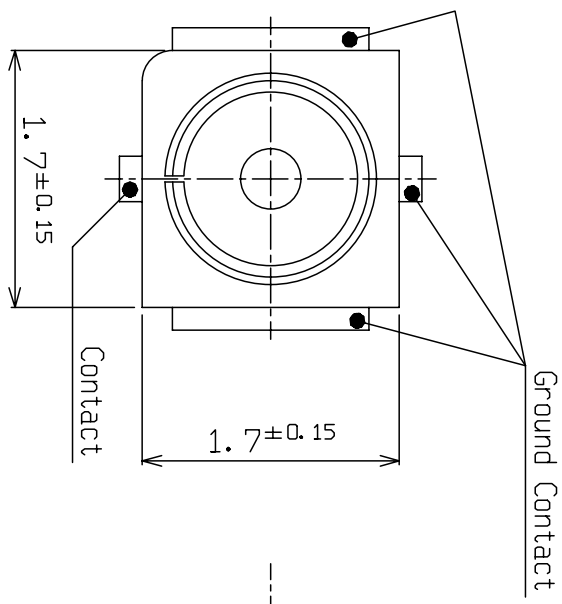
MSN: [sales@wellshow.com.tw](mailto:sales@wellshow.com.tw)

Skype: sales.wellshow

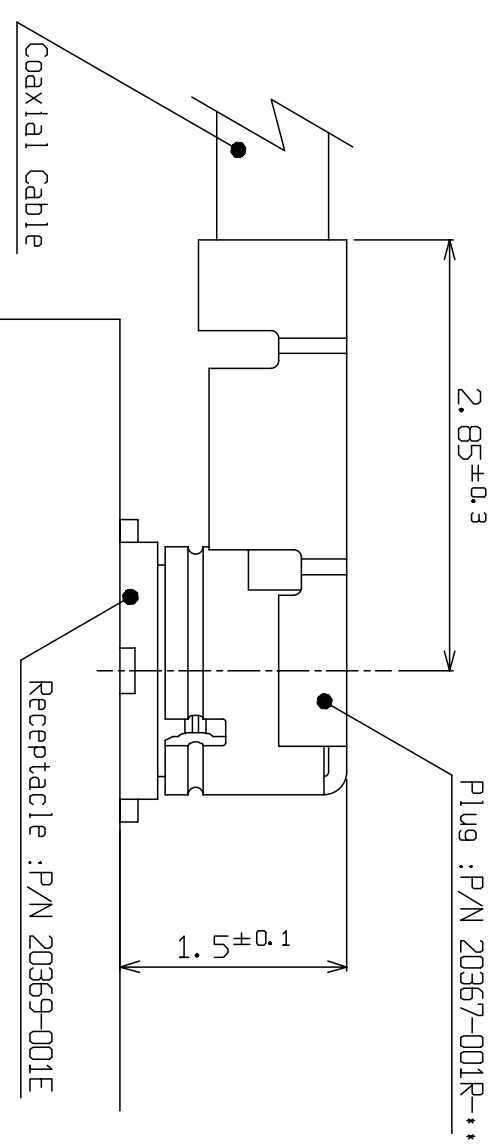
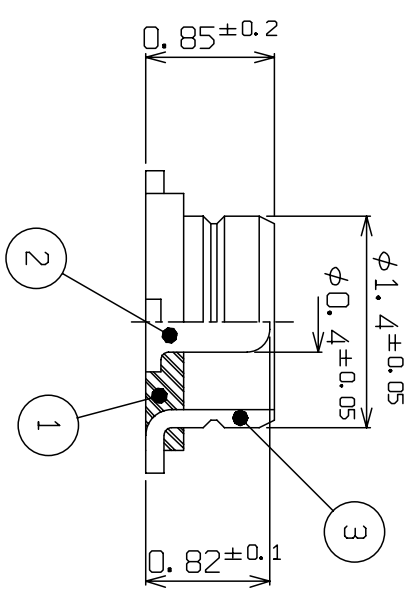
TEL: 886-2-24239376 / Fax : 886-2-24260387

Web: <http://www.rfcoaxcable.com> , <http://www.wellshow.com.tw>

PART NO.  
20369-001E



RECOMMENDED FOOTPRINT PATTERN



- 注記  
1. MATERIAL  
① HOUSING : LCP (GF=30%) NATURAL UL94V-0 (VECTORA E1301 POLYPLASTICS) BRASS  
② CONTACT : PHOSPHOR BRONZE Au OVER NI  
③ GROUND CONTACT : 0.10mm<sup>MAX.</sup> EMBOSS TAPE  
2. COPLANARITY  
3. PACKING

GENERAL TOLERANCE	
6 MAX.	±0.2
6 OVER MAX. 30	±0.3
30 OVER MAX. 120	±0.5
ANGLE	±2°

DESIGN'D BY T. TAKANO	DATE Mar./01/04	 Interconnect and Packaging Electronics TOKYO, JAPAN
CHK'D BY T. HARADA	DATE Mar./02/04	
APP'D BY K. KATABUCHI	DATE Mar./02/04	TITLE MHF III Connector Receptacle
REV. RECORD	PROJECTION	SCALE UNIT 20/1 mm
REV. ECN BY DATE APP	CUSTOMER COPY	DWG. No. 20369
0 Z04066 TOM MAR/01/04		SHEET 1/1
SERIES No.1		REV. 0

FORM REV. 4

WAS T